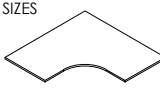
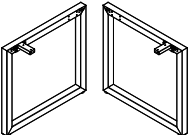

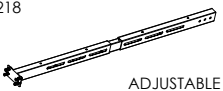
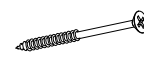
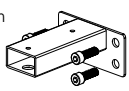
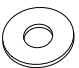

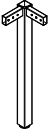
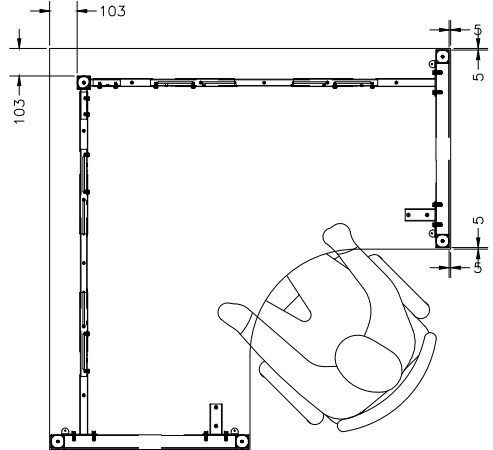
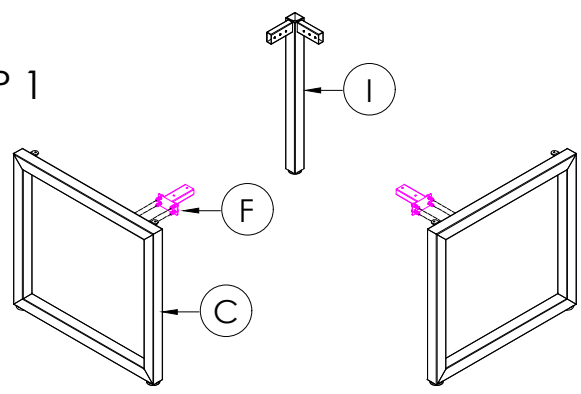
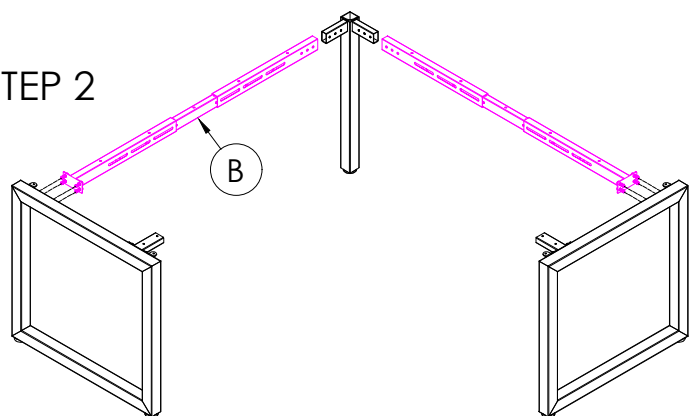


A	VARIOUS SIZES  DESKTOP	x1	C	 2x LP-LE75	x1	D	M6 x 20mm  BUTTON HEAD ALLEN BOLT	x12
B	ST-AB1218  ADJUSTABLE BEAM	x2				E	70mm  CHIPBOARD SCREW	x10
F	100mm x 50mm  BRACKET	x2	G	 3mm SPACER	x2	H	25mm  CHIPBOARD SCREW	x4
I	 ST-WSL90	x1						

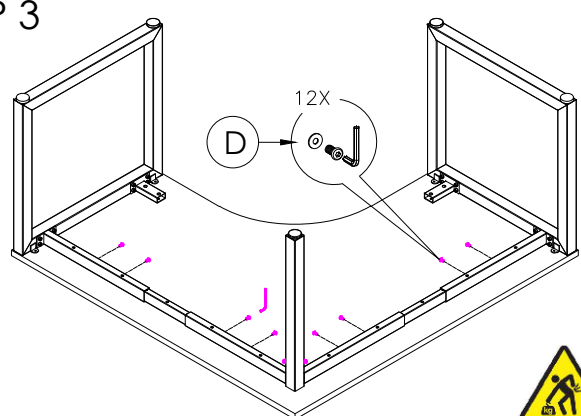
STEP 1



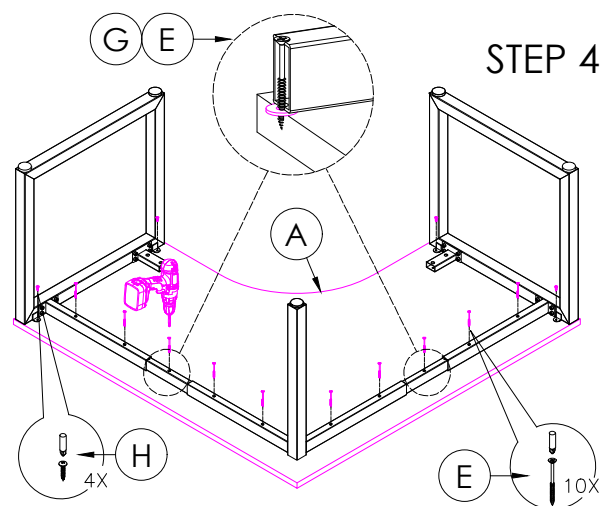
STEP 2



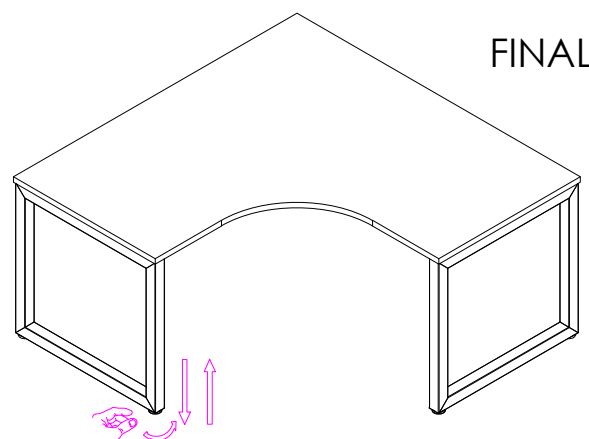
STEP 3



STEP 4



FINAL



CAUTION: HEAVY



2 PERSON HEAVY ASSEMBLY