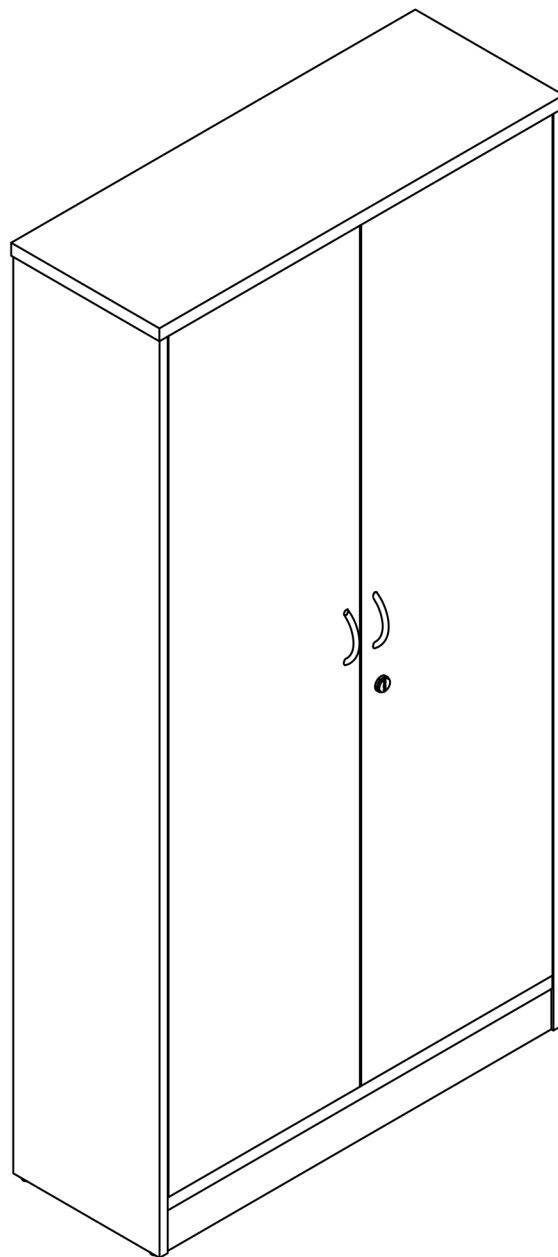
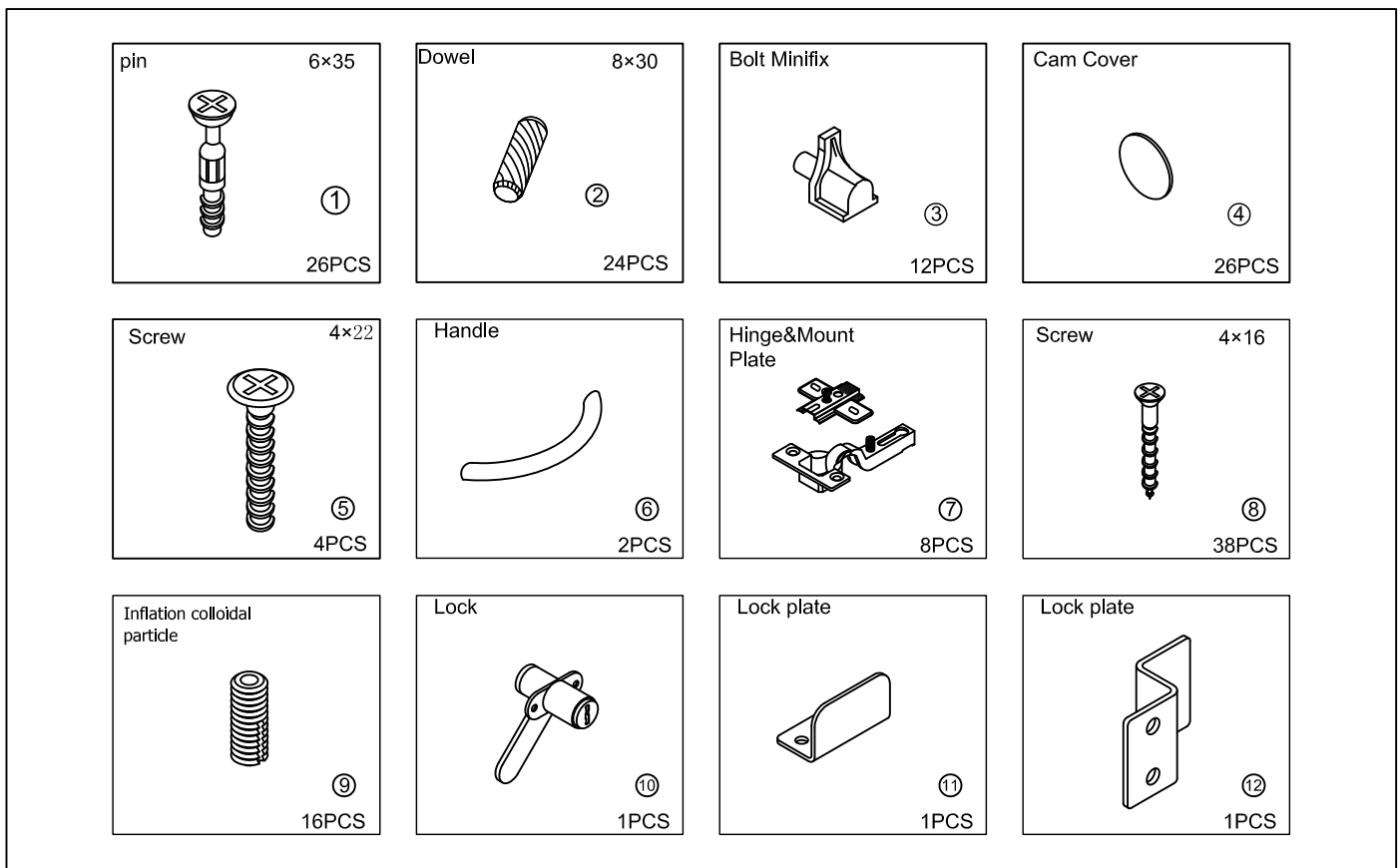
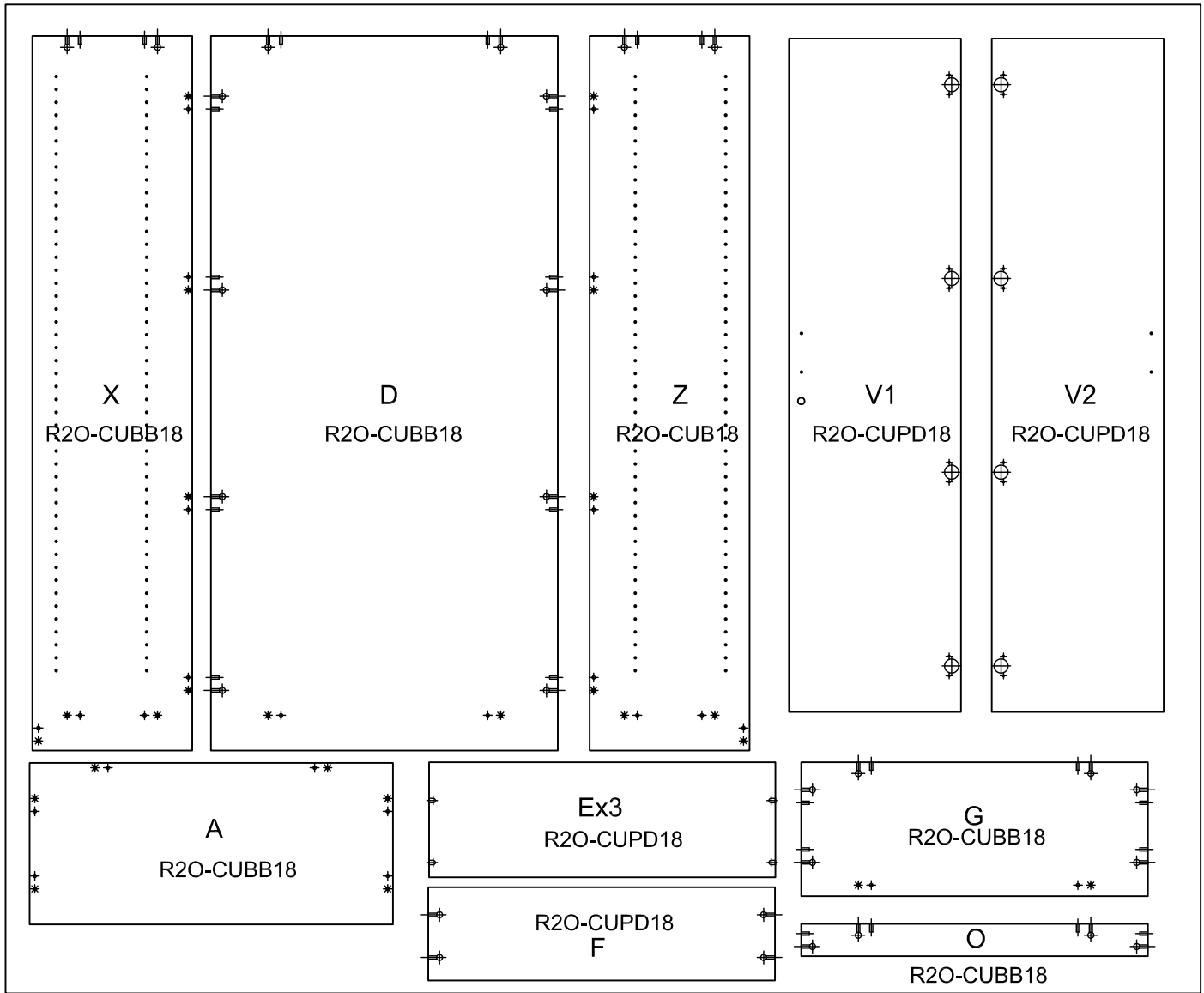
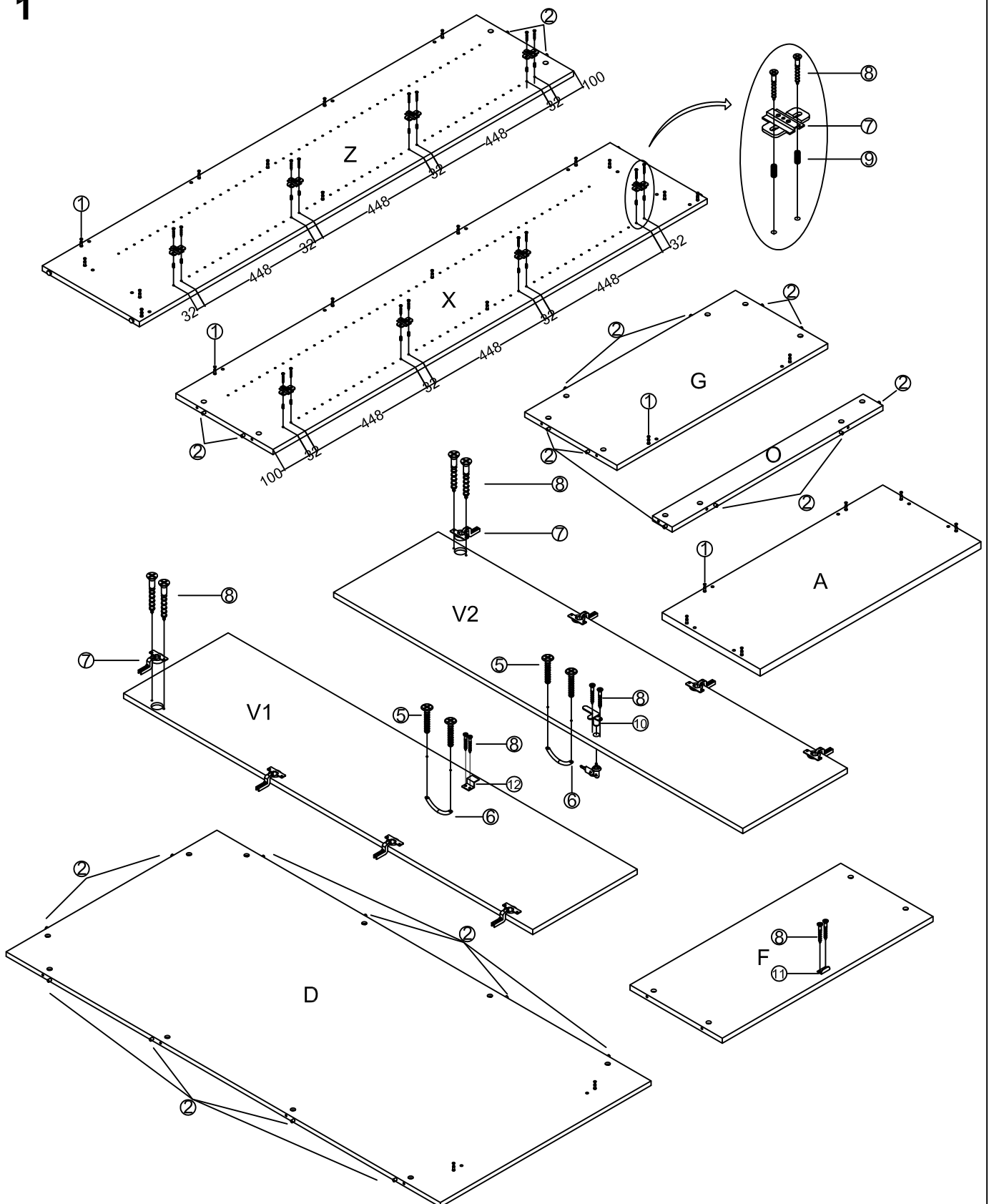


READY2GO

ASSEMBLY INSTRUCTIONS
R20-CUF18



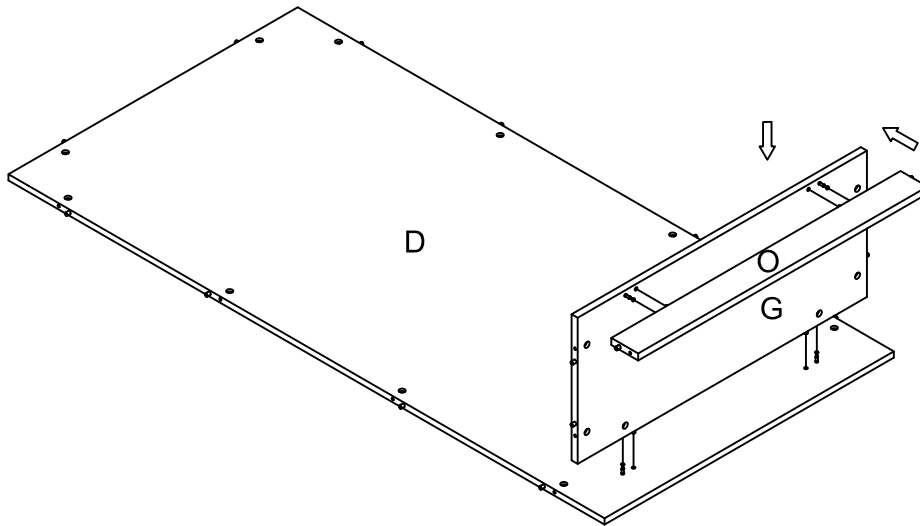


1

**Preparation for Top panel A, Bottom panel G, back panels D, Batten O .
left side panel X, right side panel Z, Door panel V1 and V2 .**

- 1、 Insert cams bolts ① and dowel pins ② into panels A,D,G,X,Z and O as illustrated above.
- 2、 Insert ⑨ into panels X,Z as illustrated above.
- 3、 Fix hinge stands ⑦ to panels X,Z with screws ⑧ as illustrated above.
- 4、 Fix hinge bodies ⑦ to panels V1 and V2 with screws ⑧ as illustrated above.
- 5、 Fix handles ⑥ to panels V1 and V2 with fix bolts ⑤ as illustrated above.

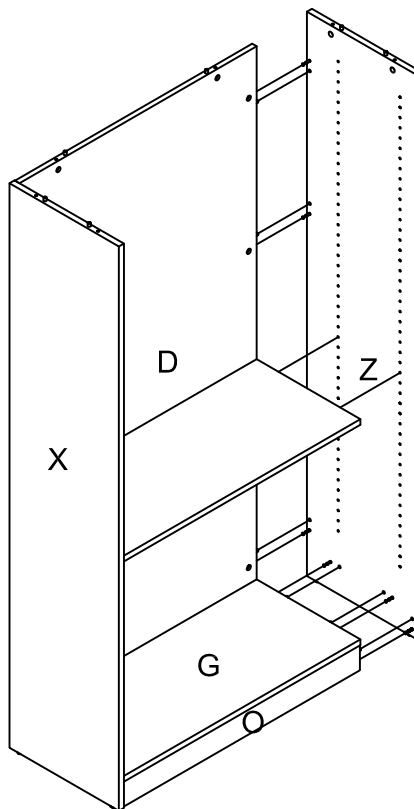
2



Back panel D ,Bottom panel G, Batten O assembly.

- 1、 Insert cam bolts ① on Immoveable panel G into cams on panel O and tighten in a clockwise direction as illustrated above.
- 2、 Insert cam bolts ① on Immoveable panel G into cams on panel D and tighten in a clockwise direction as illustrated above.

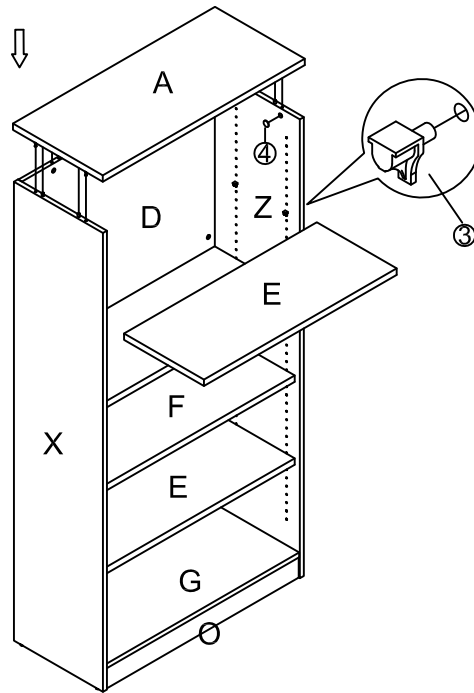
3



Left side panel X,Right side panel Z,Panel F assembly.

- 1.Insert cam bolts ① on panel X and Z into cams on panels D,G,O and F and tighten in a clockwise direction as illustrated above.

4



Top panel A assembly.

1. Insert cam bolts (1) on panel A into cams on panels D,X,Z and tighten in a clockwise direction as illustrated above.
2. Cover the cam covers (4) on the top of cams.
3. Insert threaded dowel pins (3) into panels ,X and Z as illustrated above.
4. Put the panels E on the top of threaded dowel pins (3) as illustrated above.

5

