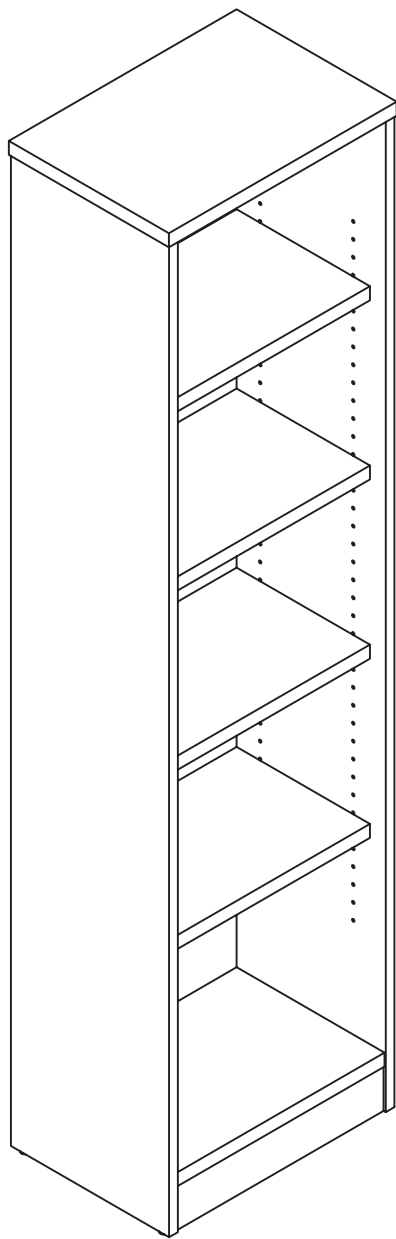
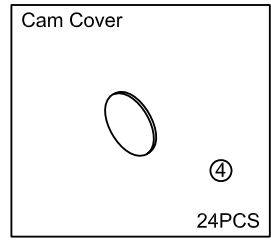
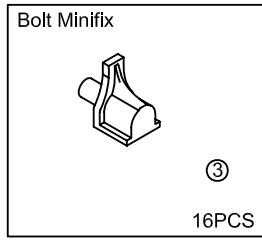
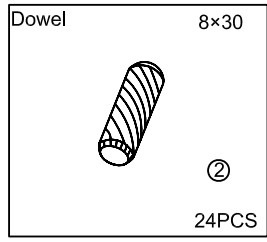
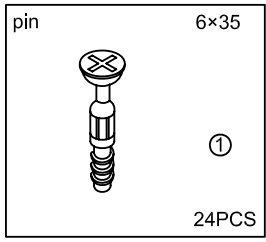


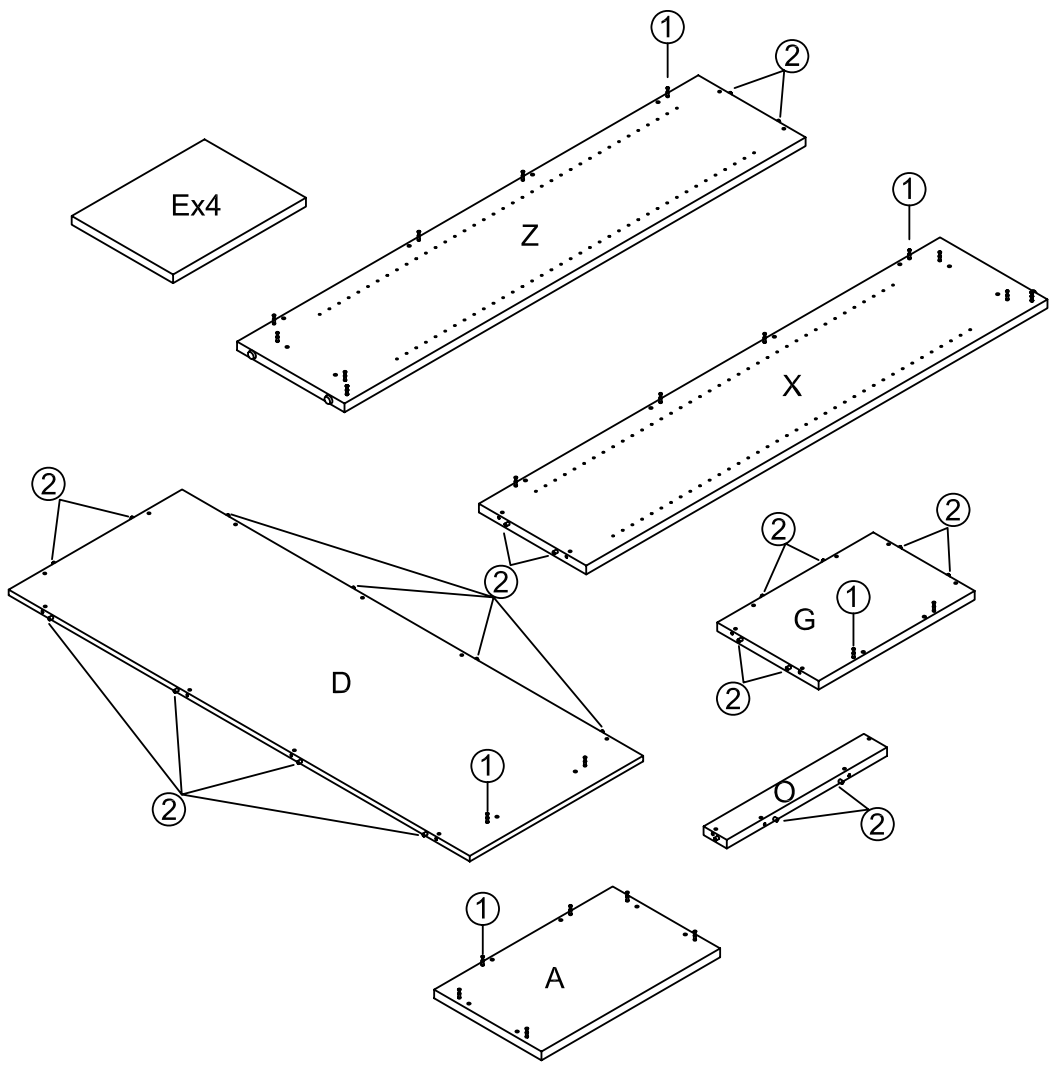
READY **2GO**

**ASSEMBLY INSTRUCTIONS**  
**R20-BCS**





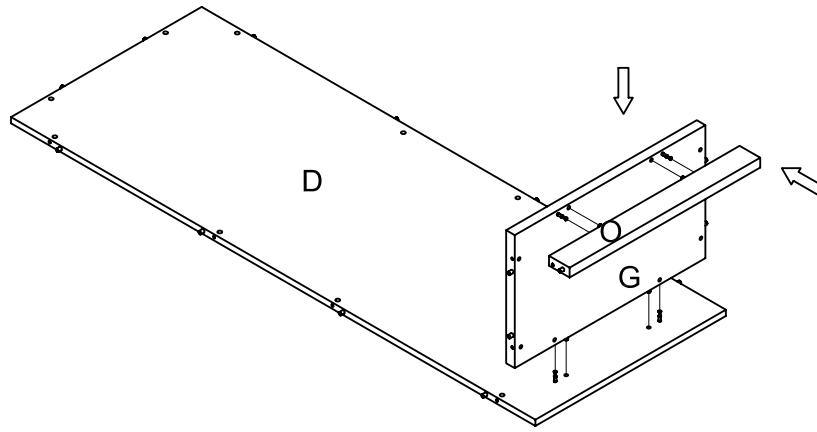
# 1



**Preparation for Top panel A, bottom panel G, Left side panel X, Right side panel Z, back panels D, Batten O .**

1、 Insert cams bolts ① and dowel pins ② into panels A,D,X,G,Z and O as illustrated above.

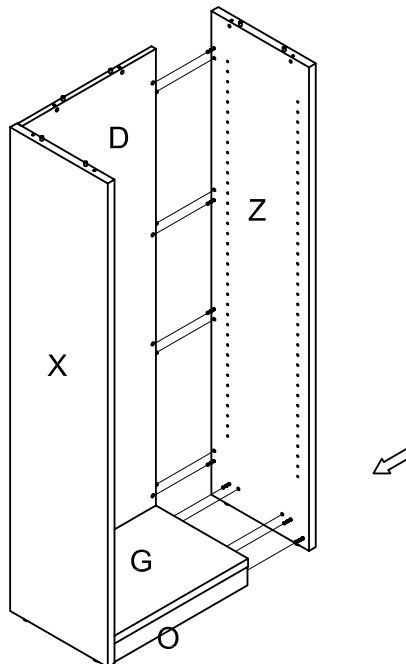
2



**Back panel D ,Bottom panel G , Batten O assembly.**

- 1、 Insert cam bolts ① on Immoveable panel G into cams on panel O and tighten in a clockwise direction as illustrated above.
- 2、 Insert cam bolts ① on Immoveable panel G into cams on panel D and tighten in a clockwise direction as illustrated above.

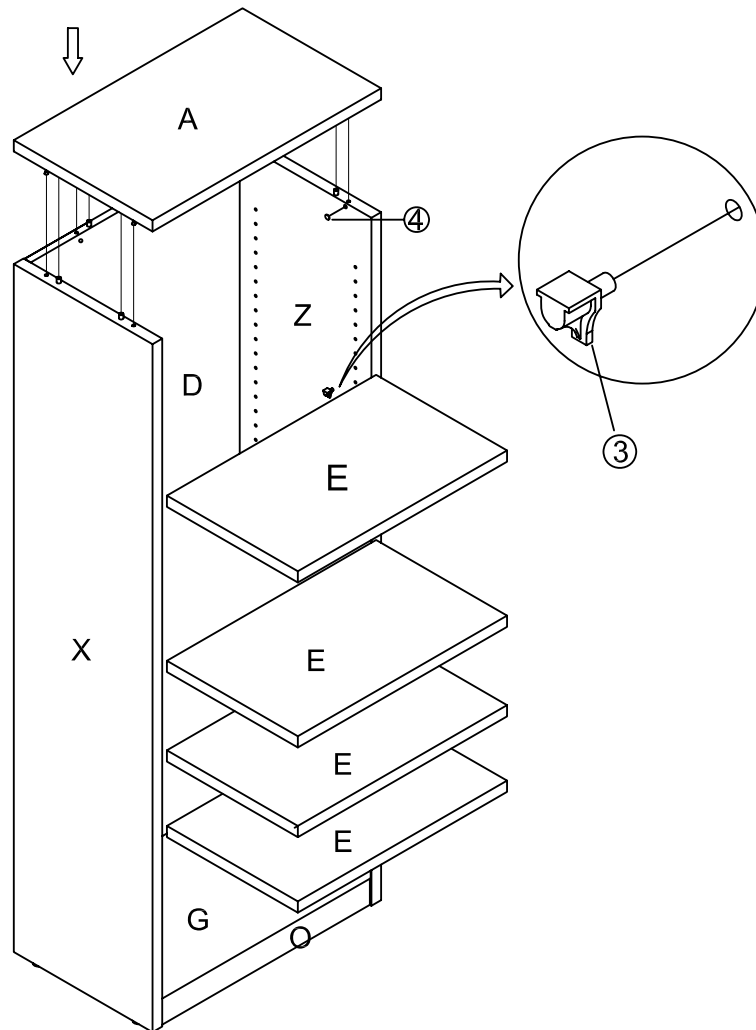
3



**Left side panel X,Right side panel Z assembly.**

1. Insert cam bolts ① on panel X and Z into cams on panels D,G,O and tighten in a clockwise direction as illustrated above.

4



**Top panel A, Moveable shelf E assembly.**

- 1、 Insert cam bolts ① on panel A into cams on panels D,X,Z and tighten in a clockwise direction as illustrated above.
- 2、 Cover the cam covers ④ on the top of cams.
- 3、 Insert threaded dowel pins ③ into panels ,X and Z as illustrated above.
- 4、 Put the two panels E on the top of threaded dowel pins ③ as illustrated above.