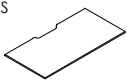
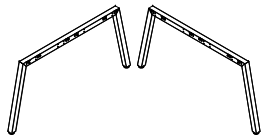

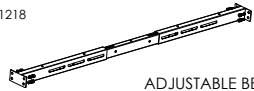
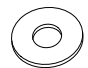

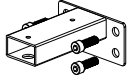

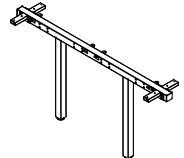
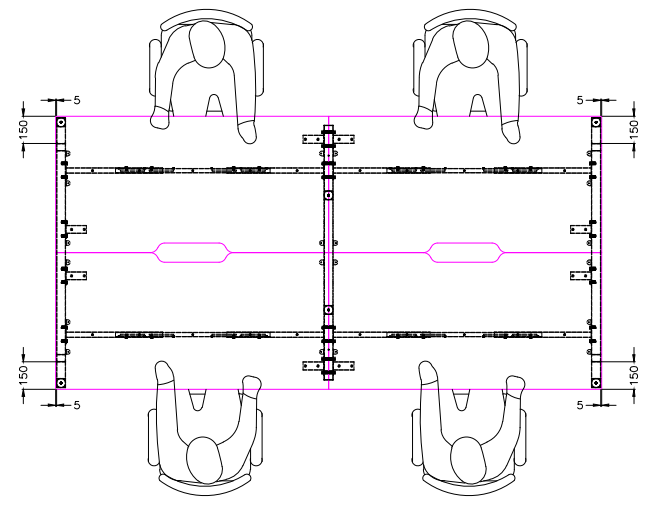
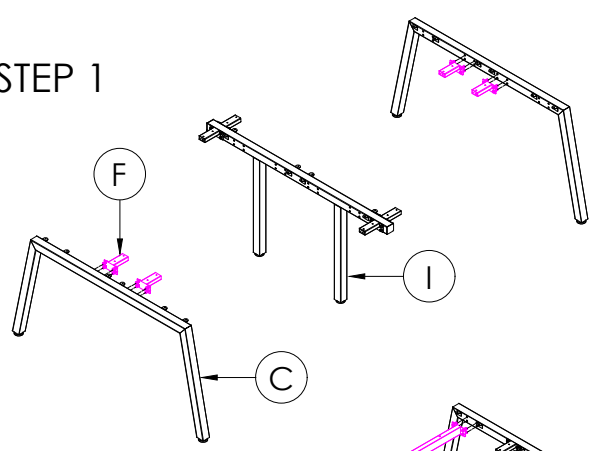


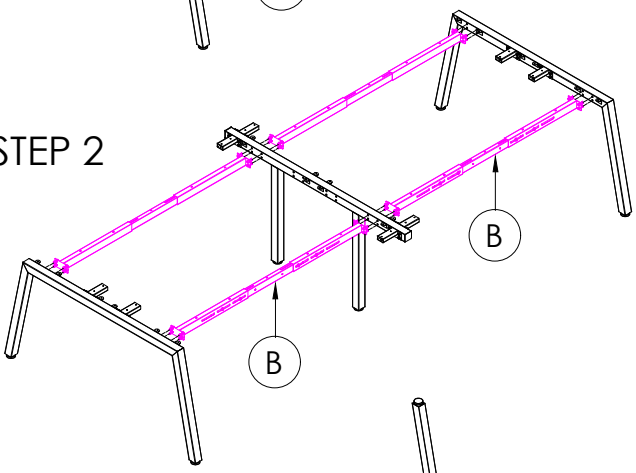
A	VARIOUS SIZES  DESKTOP	x4	C	 2x AN-LE15	x1	D	M6 x 20mm  BUTTON HEAD ALLEN BOLT	x16
B	ST-AB1218  ADJUSTABLE BEAM	x4	G	 3mm SPACER	x4	E	70mm  CHIPBOARD SCREW	x20
F	100mm x 50mm  BRACKET	x4	H	 CHIPBOARD SCREW	x20			
I	 ST-INDS	x1						



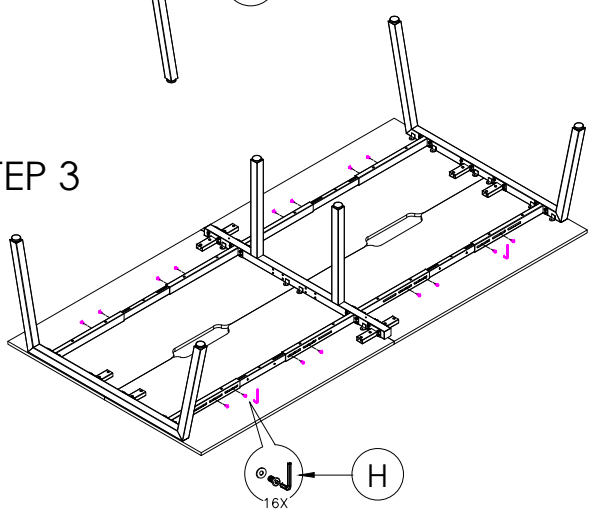
STEP 1



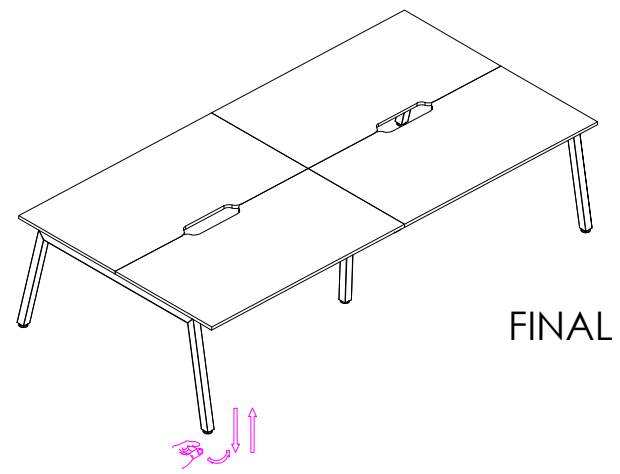
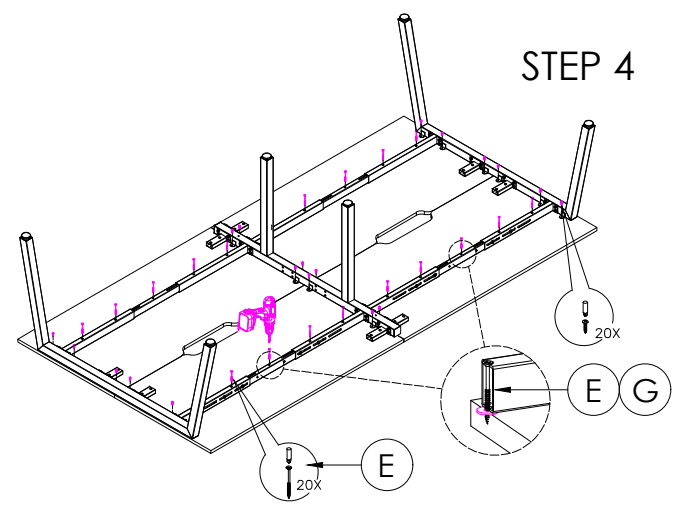
STEP 2



STEP 3



STEP 4



FINAL

