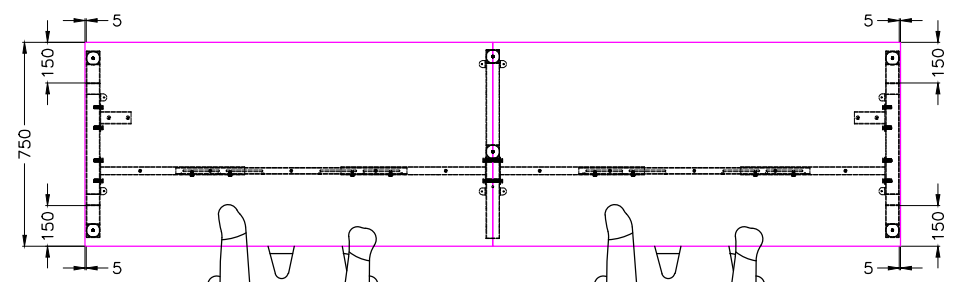
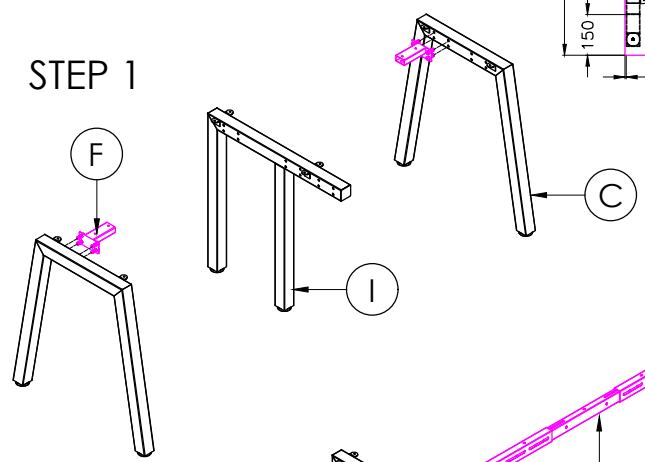


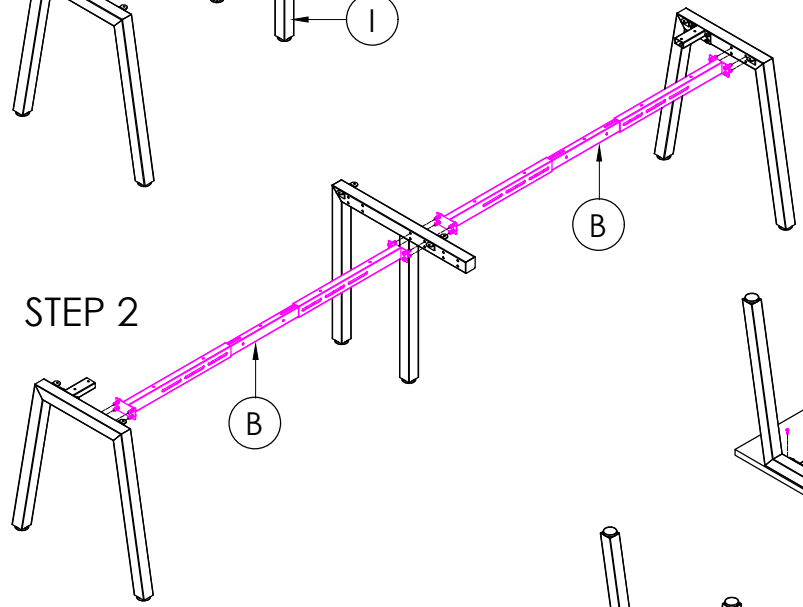
A	VARIOUS SIZES DESKTOP	x2	C	2x AN-LE75	x1	D	M6 x 20mm BUTTON HEAD ALLEN BOLT	x8
B	ST-AB1218 ADJUSTABLE BEAM	x2	G	3mm SPACER	x2	E	70mm CHIPBOARD SCREW	x10
F	100mm x 50mm BRACKET	x2	H	25mm CHIPBOARD SCREW	x8			
I	ST-INSS	x1						



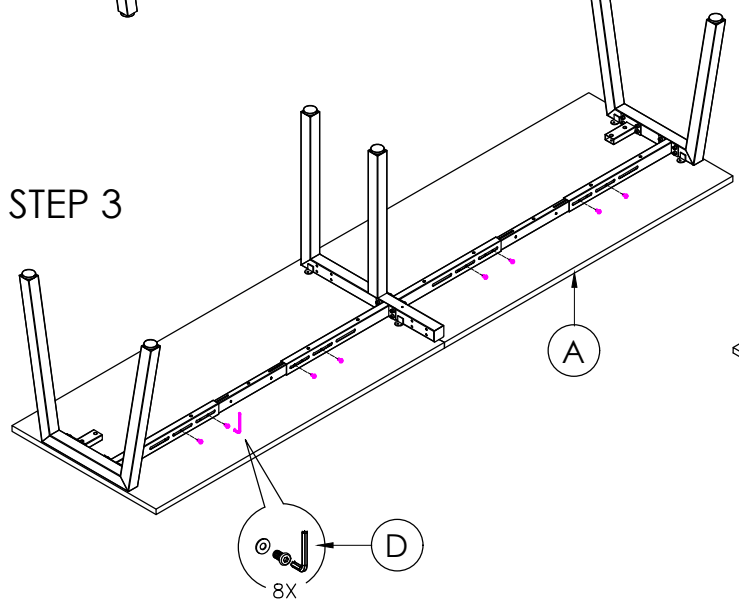
STEP 1



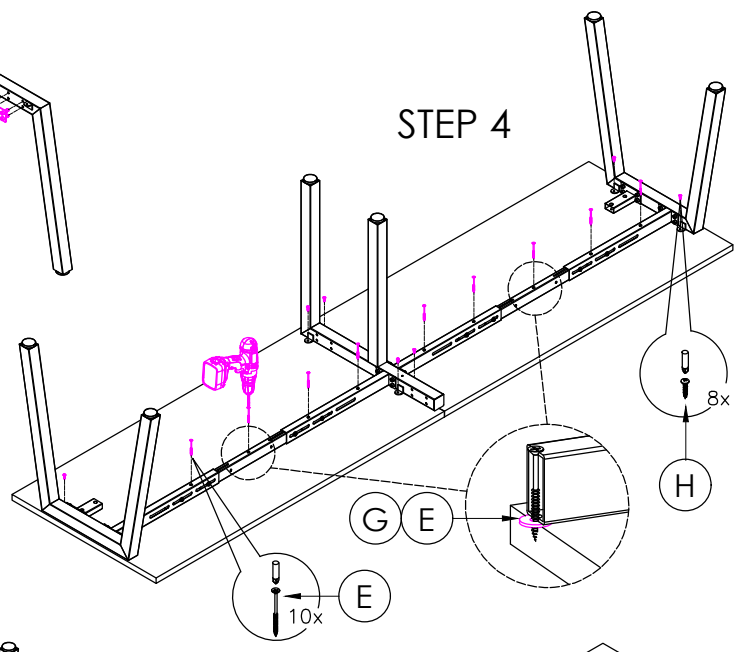
STEP 2



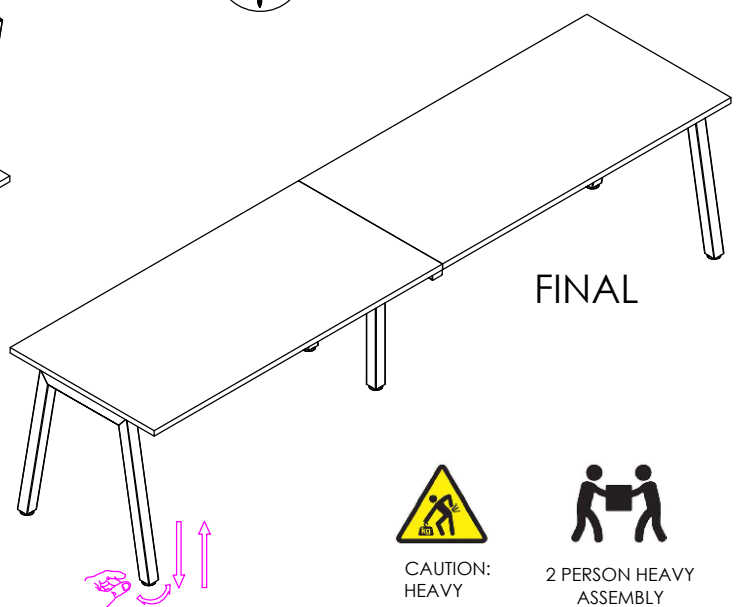
STEP 3



STEP 4



FINAL



CAUTION:
HEAVY



2 PERSON HEAVY
ASSEMBLY