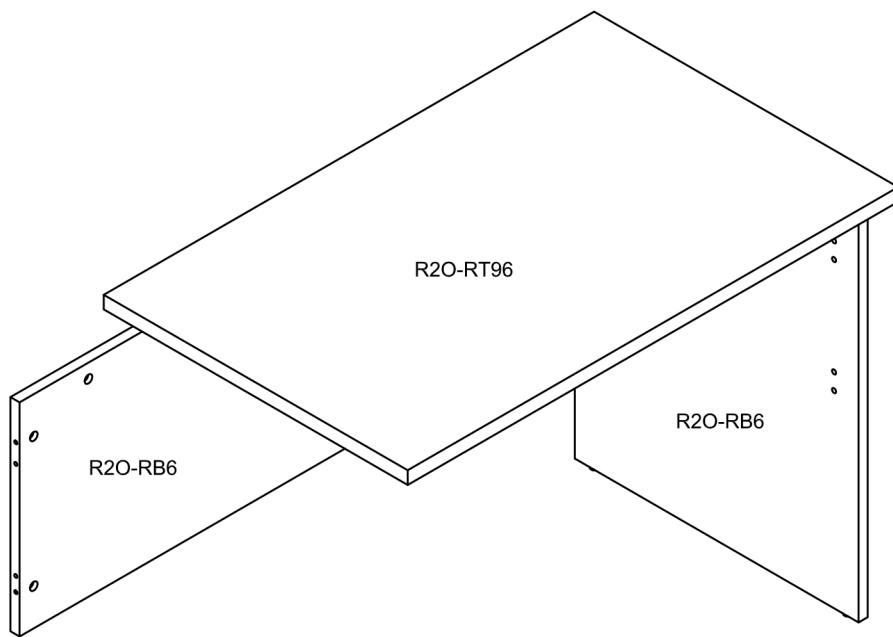



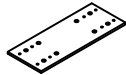


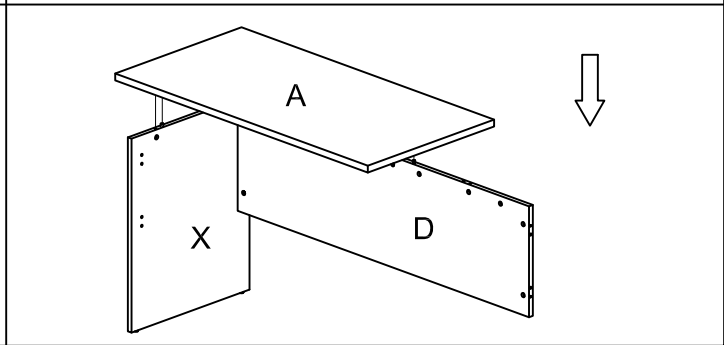
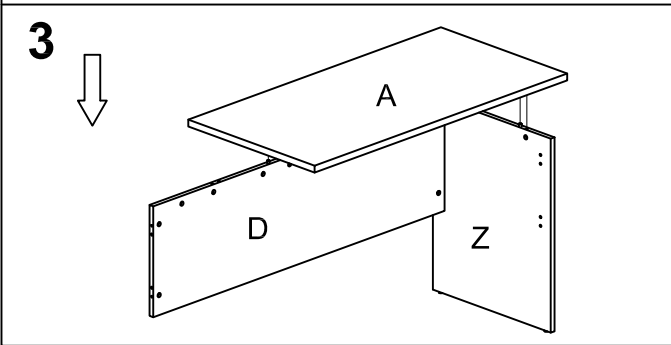
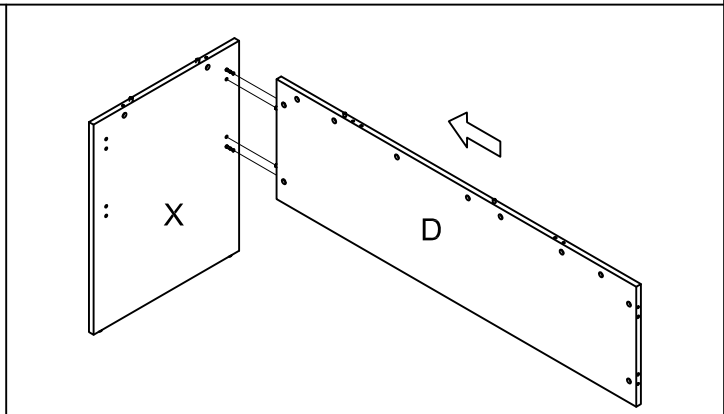
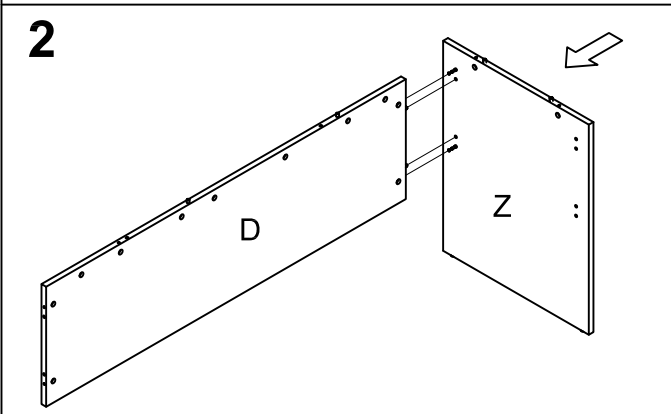
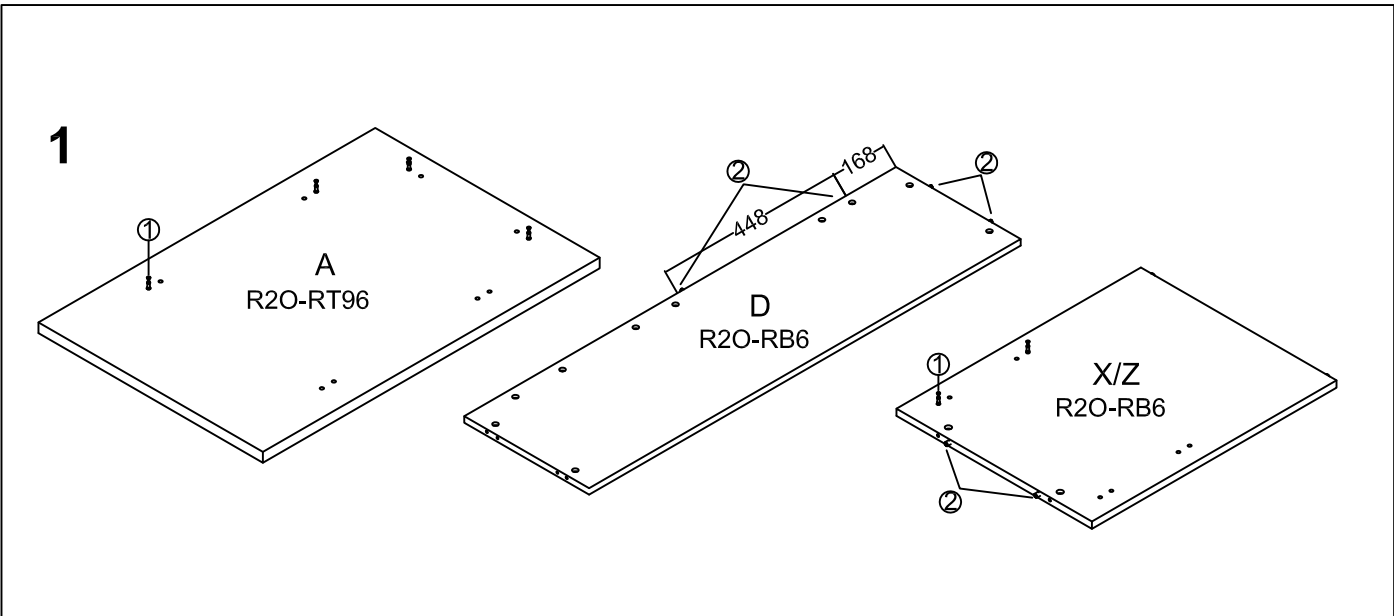
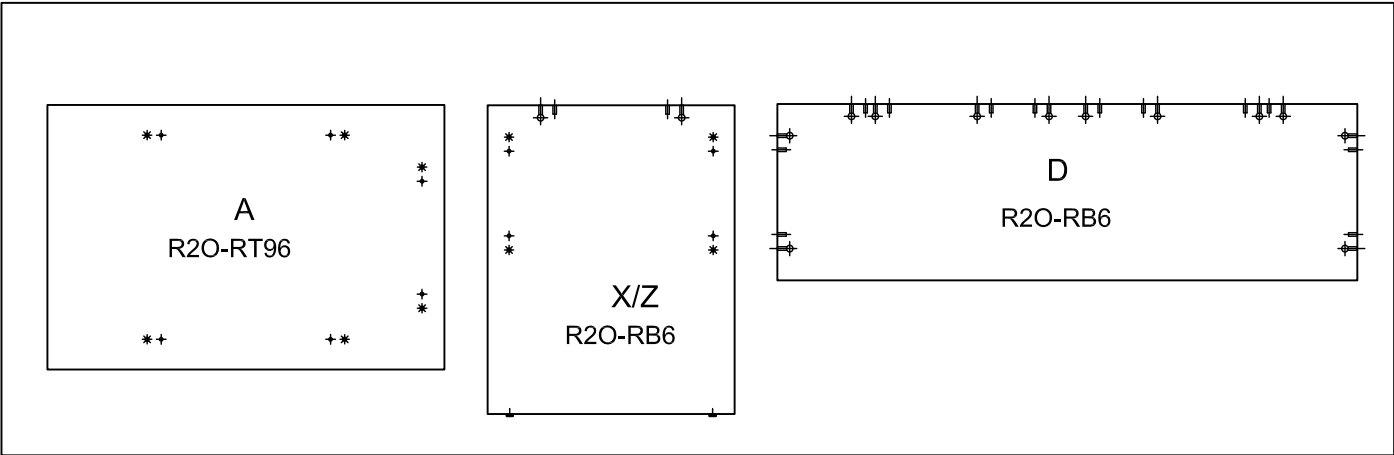


READY2GO

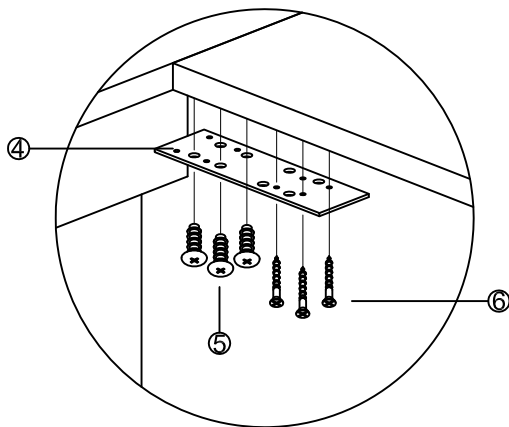
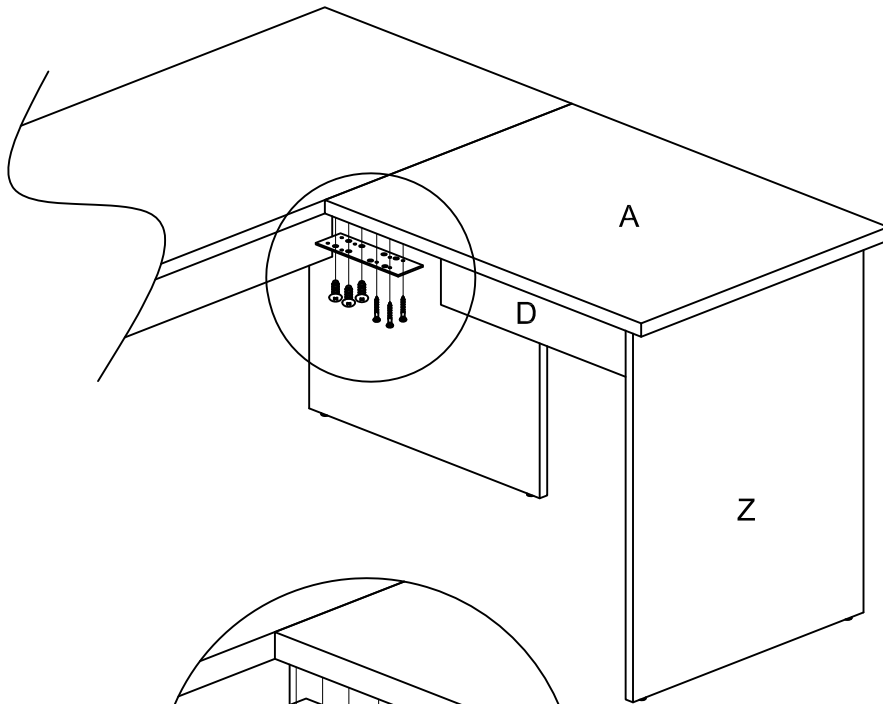
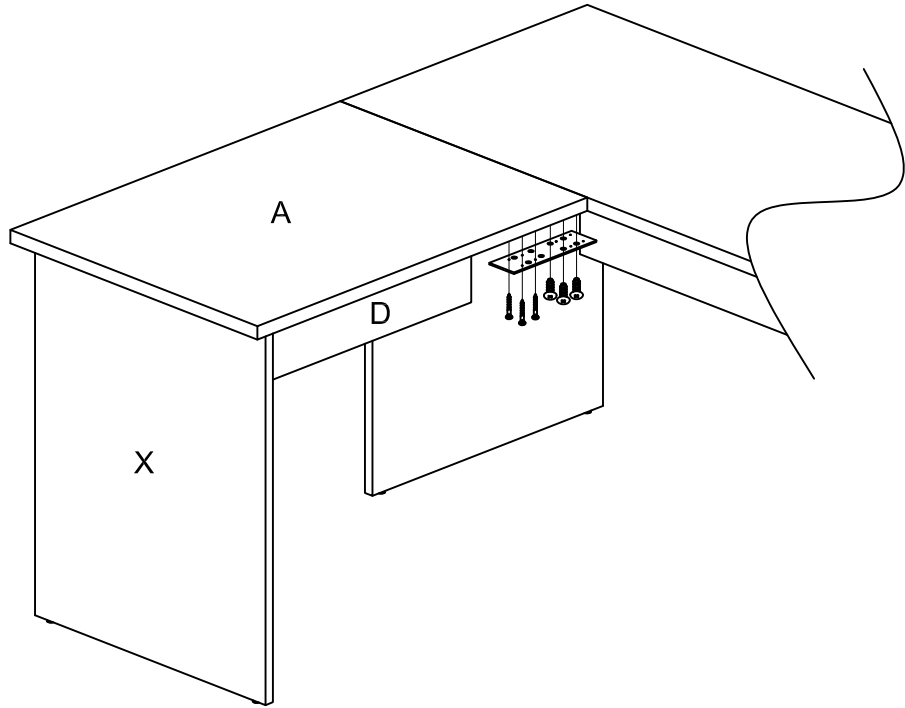
ASSEMBLY INSTRUCTIONS
R20-RE96



<p>pin 6×35</p>  <p>①</p> <p>6PCS</p>	<p>Dowel 8×30</p>  <p>②</p> <p>6PCS</p>	<p>Cam Cover</p>  <p>③</p> <p>22PCS</p>	<p>CONNECTOR</p>  <p>④</p> <p>2PCS</p>	<p>SCREW 6×12</p>  <p>⑤</p> <p>16PCS</p>	<p>SCREW 4×16</p>  <p>⑥</p> <p>16PCS</p>
--	--	--	---	---	---

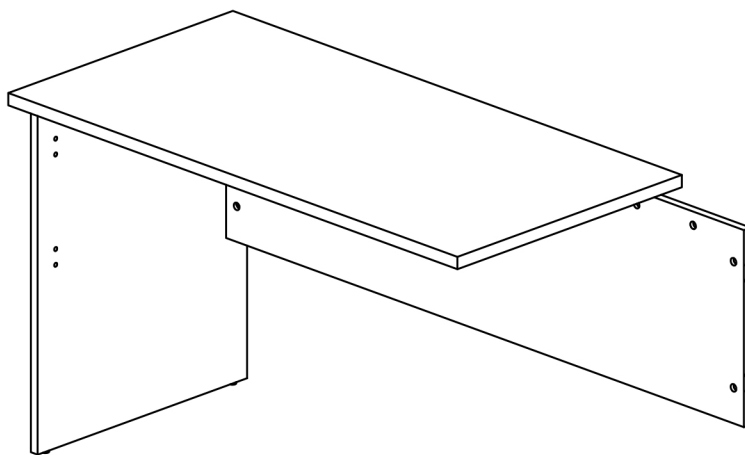


4






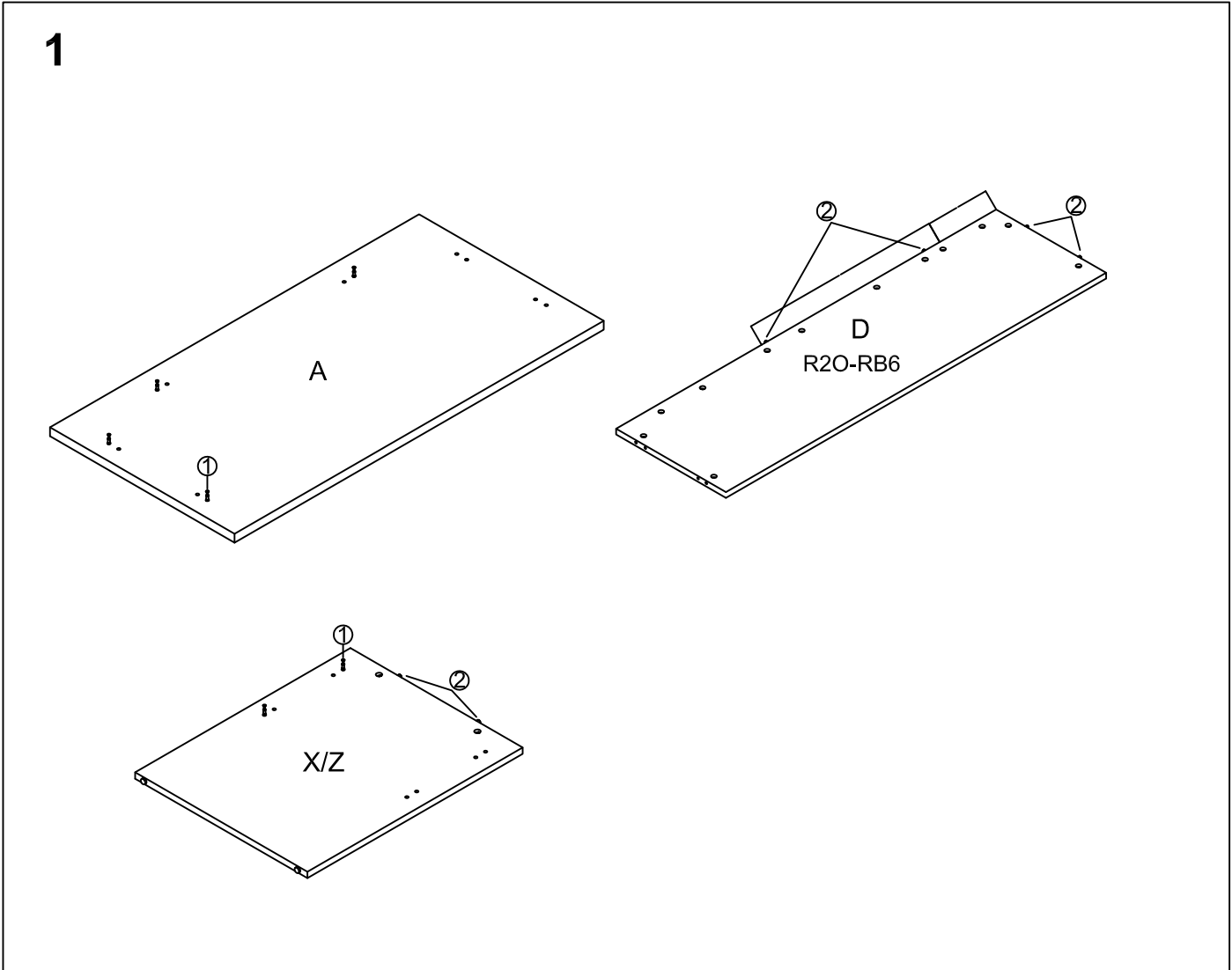
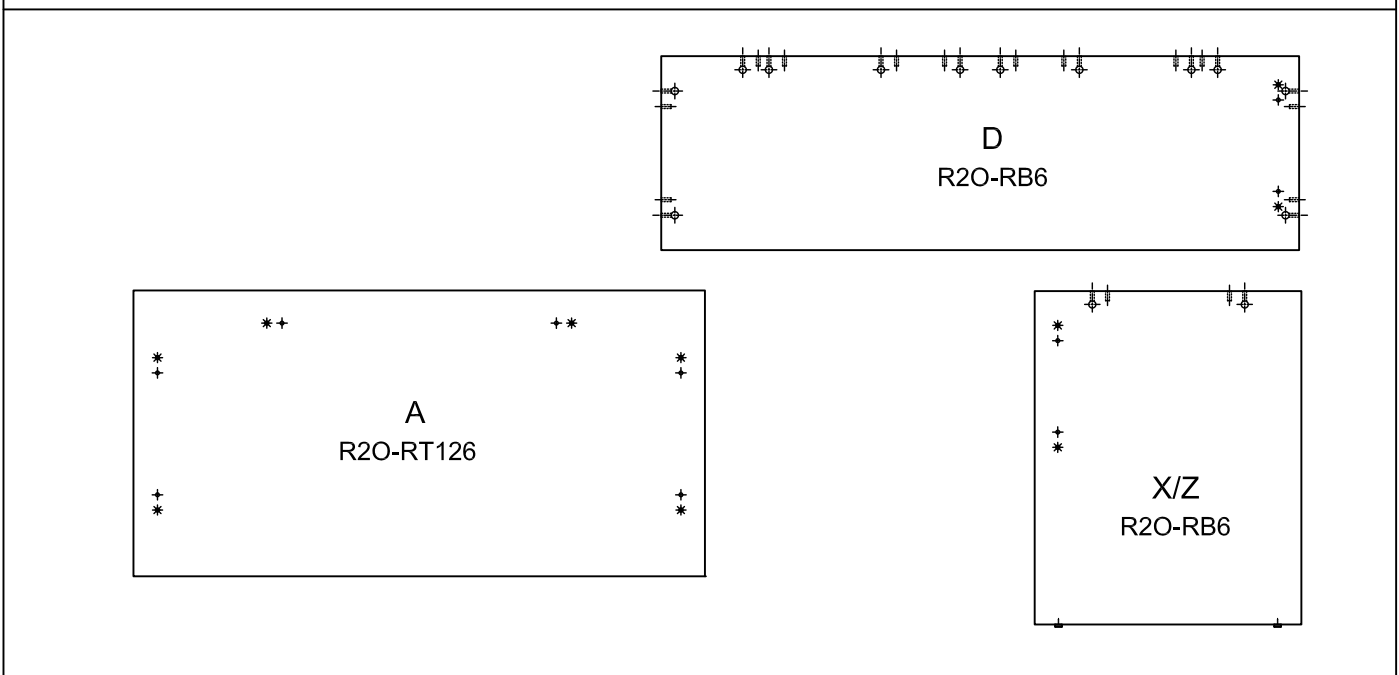
READY2GO

ASSEMBLY INSTRUCTIONS
R20-RE126

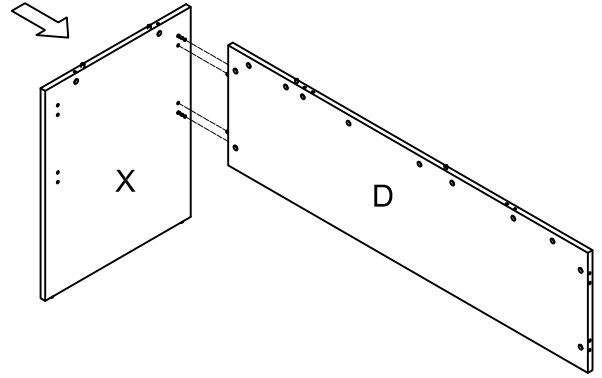
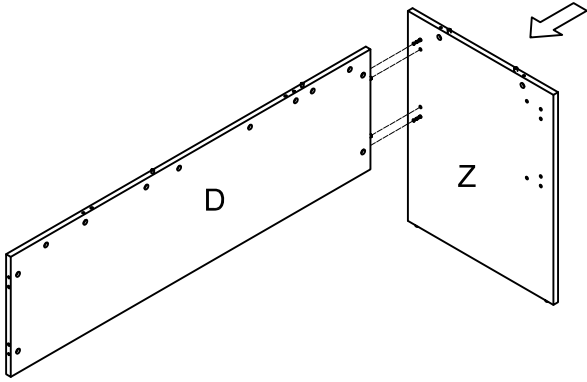


PLEASE NOTE:
THIS RETURN TOP CAN ASSEMBLE WITH
METAL FRAMES. IF YOU ARE ASSEMBLING
WITH METAL FRAMES, DISREGARD THESE
INSTRUCTIONS AS THIS TOP CAN BE USED
FOR MULTIPLE DIFFERENT METAL BASES

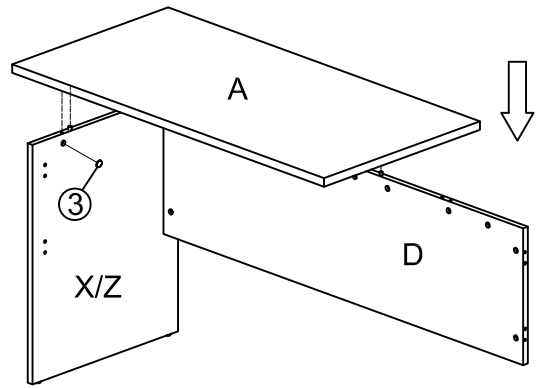
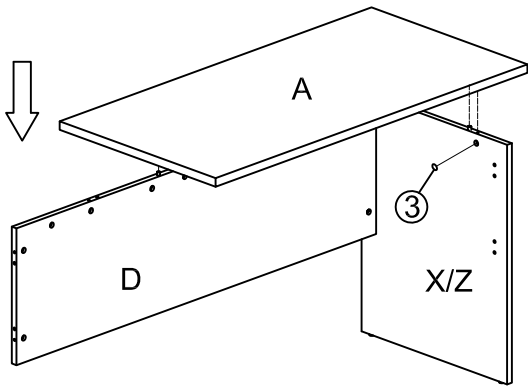
<p>pin OPTION 2 6×35 ① 6PCS</p> 	<p>Dowel 8×30 ② 6PCS</p> 	<p>Cam Cover ③ 14PCS</p> 
--	--	--



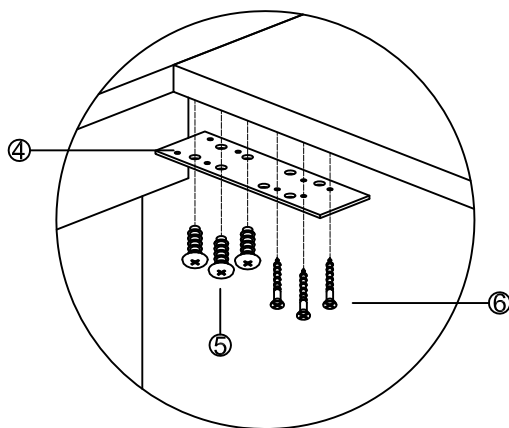
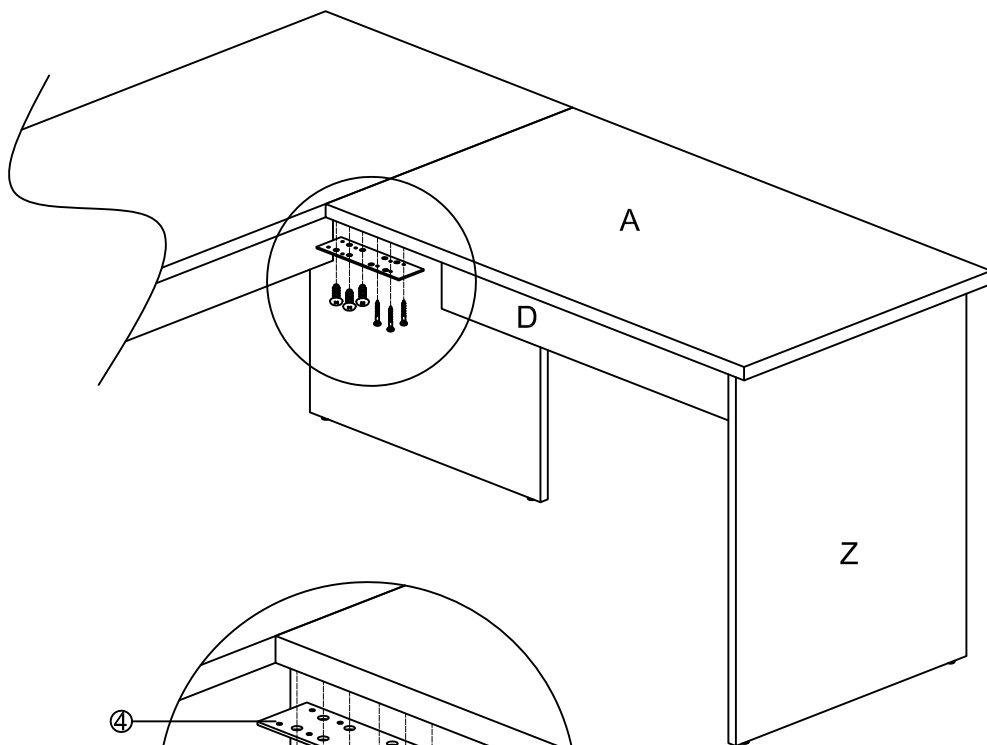
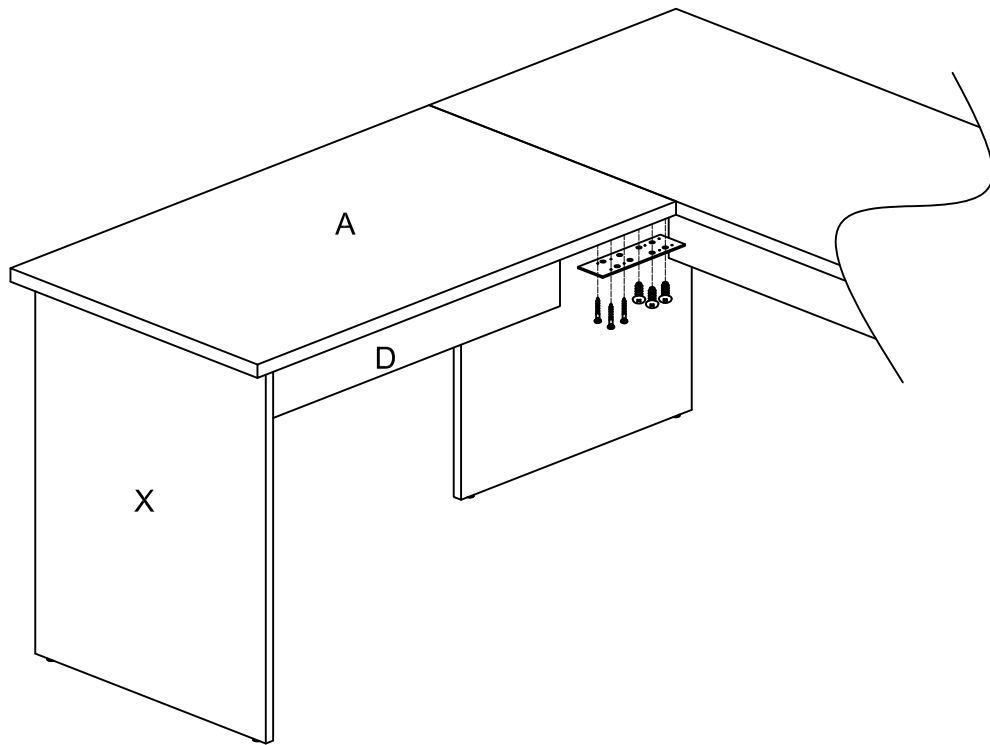
2



3

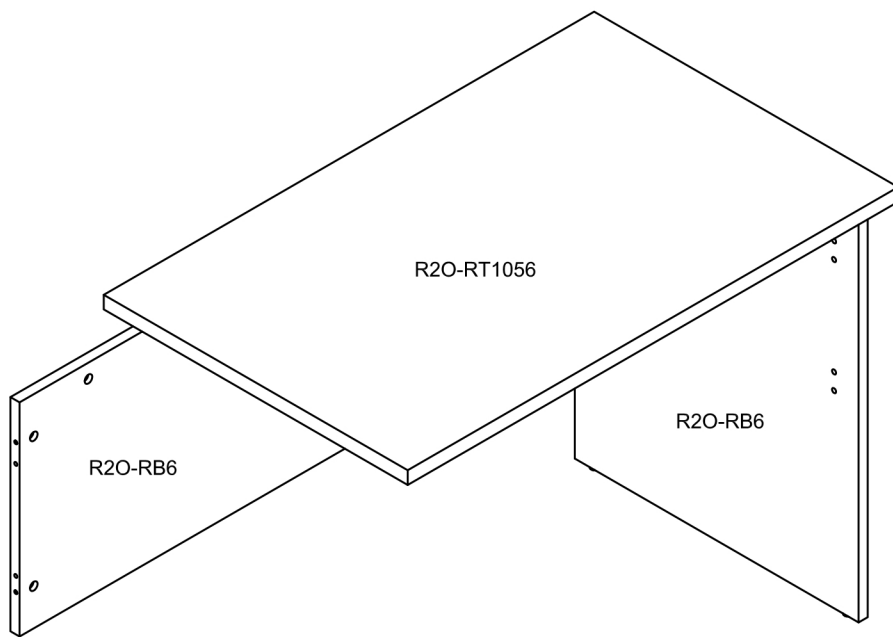





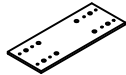


4

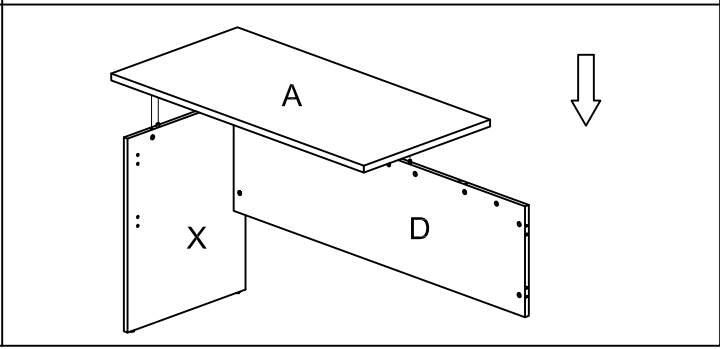
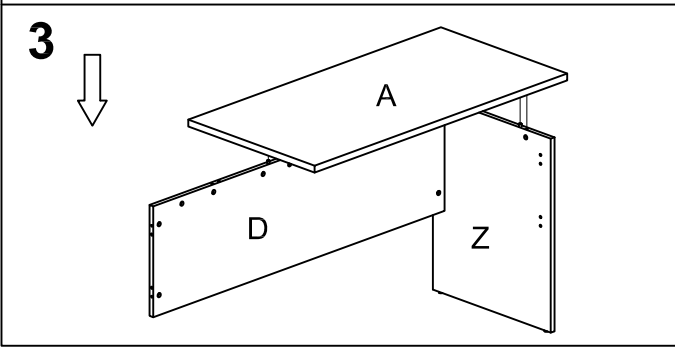
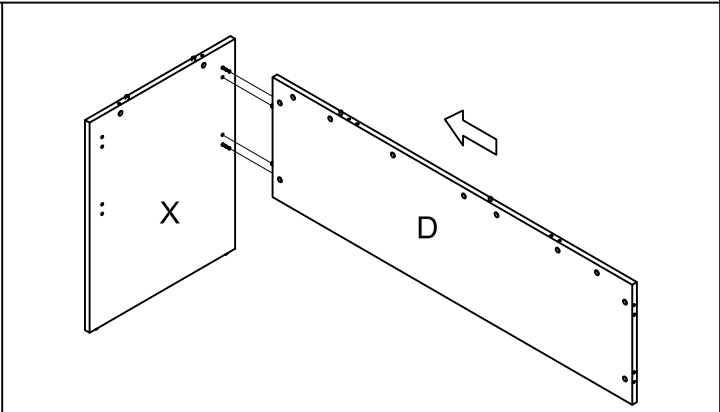
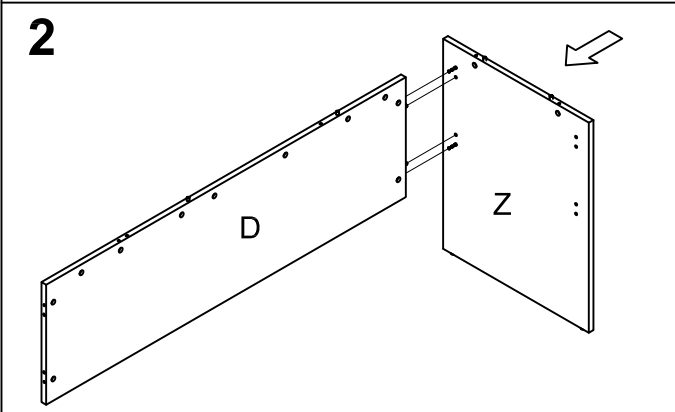
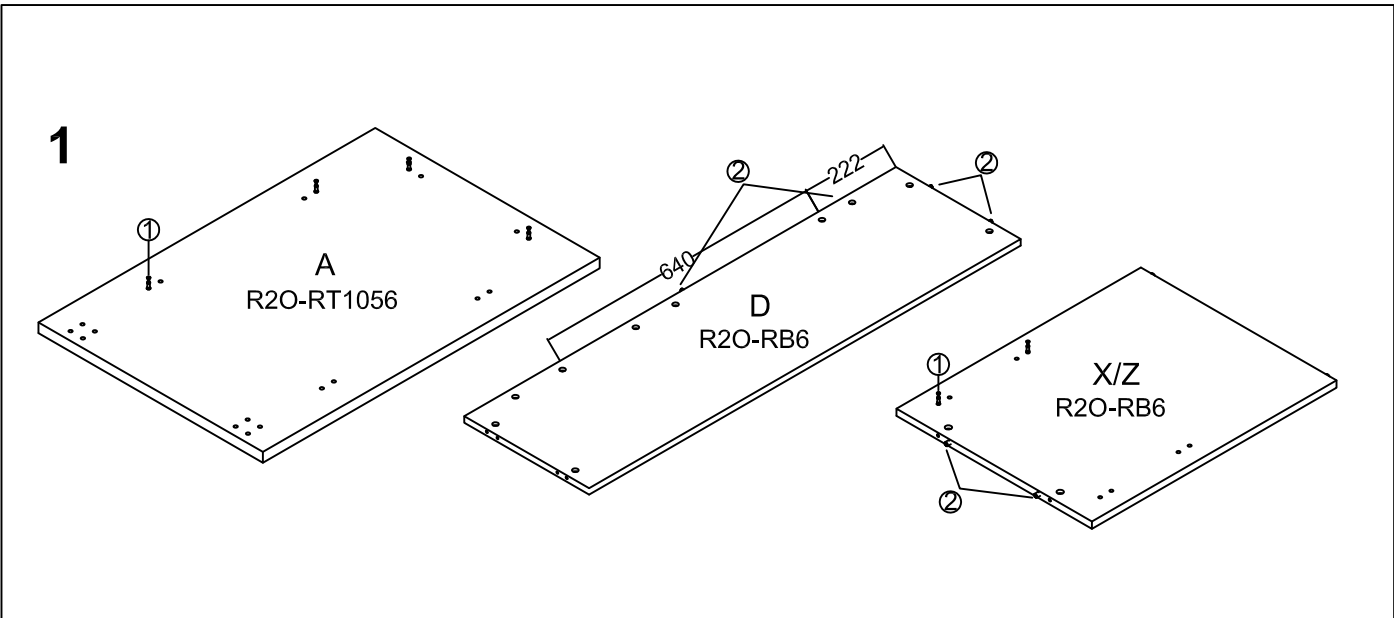
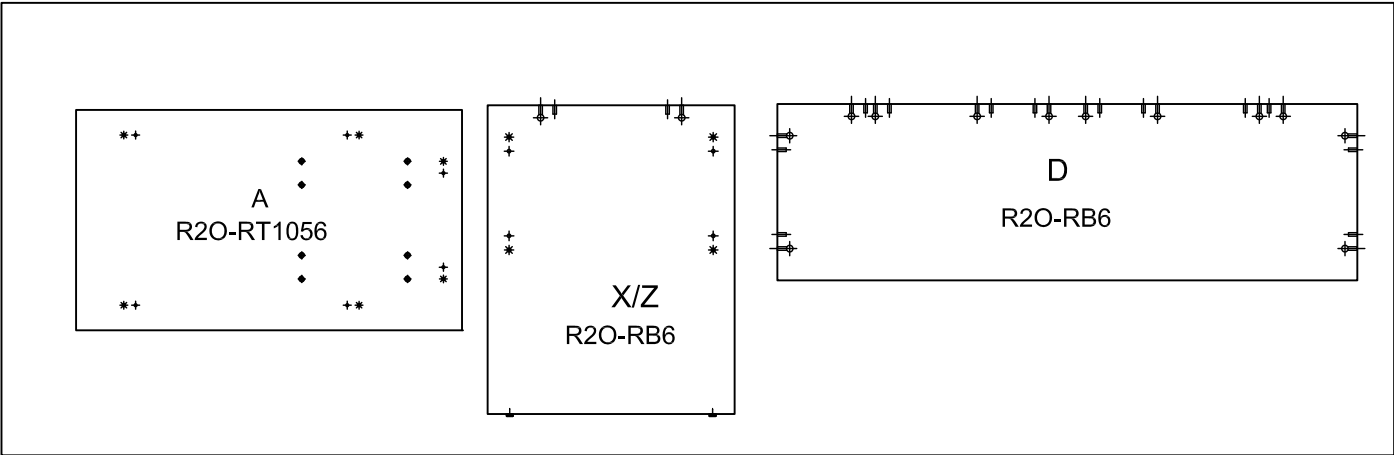


READY2GO

ASSEMBLY INSTRUCTIONS
R2O-RE1056



<p>pin 6×35</p>  <p>①</p> <p>6PCS</p>	<p>Dowel 8×30</p>  <p>②</p> <p>6PCS</p>	<p>Cam Cover</p>  <p>③</p> <p>22PCS</p>	<p>CONNECTOR</p>  <p>④</p> <p>2PCS</p>	<p>SCREW 6×12</p>  <p>⑤</p> <p>16PCS</p>	<p>SCREW 4×16</p>  <p>⑥</p> <p>16PCS</p>
--	--	--	---	---	---



4

